

DALDOSS

PASSENGERS

LIFT

COMPACT

***EasyGo***

FASST

ADAPTABLE

PROFITABLE

ELEGANT

## EasyGo introduction

The innovative lift that provides a **fast, safe and efficient** solution for passengers transport. Particularly suitable for residential buildings and retail operations where a high performance lift is required. It can be easily installed in reduced areas and it is available both as a wall mounted solution and as well as with a supporting structure, for indoor or outdoor installations.

Versions available:

**EasyGo-e** MRL solution, gearless electric traction.

**EasyGo-h** hydraulic traction solution with machine room in armoire next to the shaft.

a product certified by



daldoss easygo  
the compact lift  
with high performance

***EasyGo-e***  
***EasyGo-h***



### Operation

The MRL electric traction or hydraulic with armoire next to the shaft provide high performances without giving up to a great level of comfort.

### Customization

The MRL characteristic allows for installation in a concrete shaft or with a modular steel supporting structure for indoor or outdoor without the need of a dedicated machine room.





#### Choice of entrances

Depending on the model, the doors can be placed over the same side, on adjacent or opposite sides and feature 2 or 3 panels telescopic opening or central opening at 2 or 4 panels.

#### Ideal for Businesses

With a speed of up to 1.6 m/s and the capacity of the car it allows to rapidly and safely transfer passengers through the various floors of the building.

#### Retail

#### Finishes and options

High quality materials used for finishes and linings along with multiple options to create an aesthetically elegant lift.

# Main Advantages





## Technical features

**Traction:** **EasyGo-e:** electric MRL gearless  
**EasyGo-h:** hydraulic with control unit placed next to the shaft

**Rated load:** 320 kg - 1000 kg (4 - 13 passengers)

**Stops:** Max. 16 \*

**Travel:** Max. 45000 mm \*

**Speed:** Max. 1,6 m/s \*

**Headroom:** min. 2800 mm \*

**Pit:** min. 350 mm \*

**Power supply:** 220-400V three phase 50/60Hz  
220 Monophase 50/60Hz

**Motor power:** min. 2 kW \*

**Car entrances:** 1 or 2 in line, opposite or adjacent \*

**Car:** Closed with skinplate or stainless steel walls and corners, floor finish in non-slip rubber, ceiling in skinplate or stainless steel, lighting timer with low tension spotlights, emergency light (in case of black out), full height safety light curtain on each car entrance.

**Floor doors:** automatic with 2 or 4 panels central opening, 2 or 3 panels telescopic, stainless steel panels and jambs.

**Car doors:** automatic with 2 or 4 panels central opening, 2 or 3 panels telescopic, stainless steel finishes.

**Car operation panel:** Brushed stainless steel service panel with Braille type floor selection buttons. Alarm button with telephone helpline device landline or GSM, door opening button as an option. Capacity and number of passengers plate. Display indicating car position and direction.

**Landing operation panel:** Brushed stainless steel plate, automatic call button Braille type. Display and key as an option.

**Supporting structures:** Made of bolted elements for indoor or outdoor installations. Baked enamel finish RAL 7038 (standard), other RAL colors available from the Daldoss range or other RAL as option. Structure cladding in baked enamel steelplate, safety glasses or insulating panels RAL 9002. Rooftop finish for both indoor (+ 50 mm) or outdoor (+250 mm) installation.

**Norms and regulations:**

- Lift Directive 2014/33/EU and EN81-20/50
- Electromagnetic Compatibility Directive 2014/30/EU
- NTC 2018: MINISTERIAL DECREE 17 JANUARY 2018 "Technical Norms for Constructions"
- CR UNI 10011 – June 1988. "Steel Constructions, Instructions for the calculation, execution, testing and maintenance"
- EN 1090-1 "Execution of steel and aluminum structures - Part 1: Requisites for the conformity evaluation of structural components"
- EN 1090-2 "Execution of steel and aluminum structures - Part 2: Technical requisites for steel structures"

\* it may vary depending on the model and the traction (electric or hydraulic)

technical  
features

**Standard**



2 panels telescopic car and landing doors stainless steel finish



3 panels telescopic car and landing doors stainless steel finish



2 or 4 panels central opening car and landing doors stainless steel finish



Ceiling with 4 LED spotlights



Safety photocell curtain



Stainless steel landing pushbutton



Stainless steel car operating panel with display (color as an option)

s t a n d a r d



## Options



Car and landing door  
"full glass" type



Car and landing door with framed  
glass "big vision" type



Half or full size wall mirror or  
as vertical blade



Ceiling with diffused light



Car handrail



Half or full size  
panoramic car wall



Landing pushbutton  
with display



Landing pushbutton  
with key

options

## Non-slip floor rubber finishes



R42  
Natural wood



R58  
Charcoal

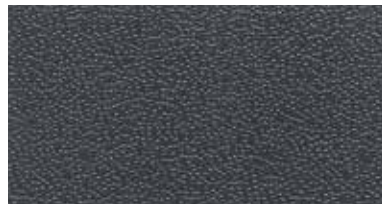


R59  
Gravel

## Car finishes in steelplate skinplate lined



K01  
White



K04  
Black



K41  
Simil Inox

## Doors and car finishes in stainless steel plate Aisi 304



X02  
Brushed Scotch Brite



X13  
Dot-pattern scratch proof



X14  
Skin



X22  
Super mirror



X25  
Shiny gold

The colors showed are demonstrative only and they may vary from the color of the original material.

f i n i s h e s



## Shaft, car and floor doors dimensions of standard models (mm)

Model	Entrances	Capacity kg	Car mm		Automatic telescopic doors H=2000 mm	Wall mounted				Structure			
			CW	CD		2 PANELS		3 PANELS		2 PANELS		3 PANELS	
						SW	SD	SW	SD	SWS	SDS	SWS	SDS
P5	A or C	390	850	1250	750	1400	1565	1300	1600	1500	1665	1400	1700
P5	AC	390	850	1250	750	1400	1695	1300	1796	1500	1795	1400	1896
P6	A or C	480	1000	1350	800	1500	1665	1400	1700	1600	1765	1500	1800
P6	AC	480	1000	1350	800	1500	1795	1400	1896	1600	1895	1500	1996
P7	A or C	550	1050	1350	800	1600	1665	1450	1700	1700	1765	1550	1800
P7	AC	550	1050	1350	800	1600	1795	1400	1896	1700	1895	1550	1996
P8	A or C	630	1100	1400	900	1650	1750	1550	1750	1750	1850	1600	1850
P8	AC	630	1100	1400	900	1650	1845	1550	1946	1750	1945	1600	1996
P10	A or C	800	1350	1400	900	1850	1750	dimensions to be defined upon specific request					
P10	AC	800	1350	1400	900	1850	1850						
P13	A or C	1000	1100	2100	900	1700	2450						
P13	AC	1000	1100	2100	900	1700	2650						

The shaft dimensions for wall mounting and supporting structure may vary depending on the type of lift chosen (electric or hydraulic).

Available upon request other models, dimensions and configuration entrances (position B, AB and BC).

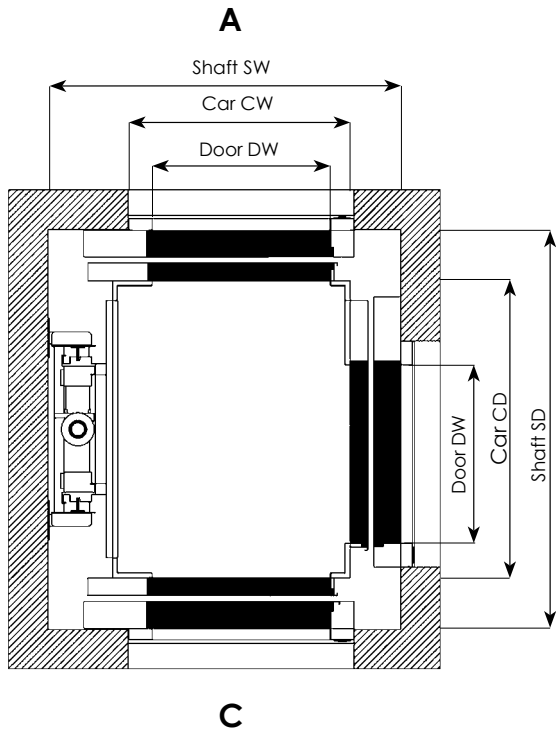
Daldoss Elevetronic S.p.A. reserves the right to make changes to the characteristics and dimensions of the models in the catalogue, in compliance with statutory legislation, without any prior notice to the customer.

# standard models

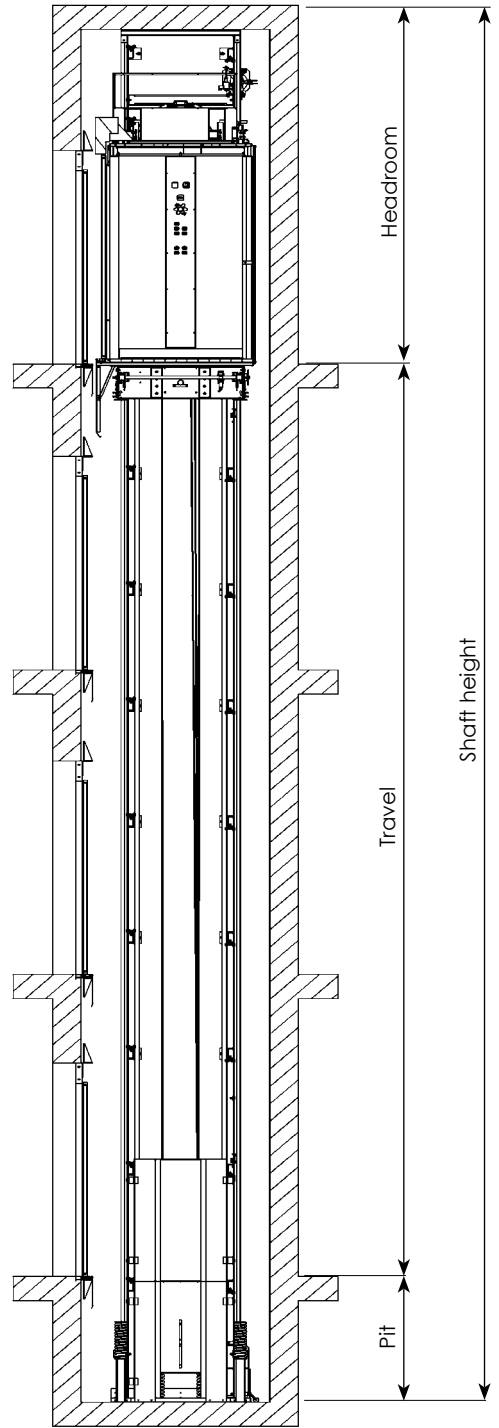


# Drawings

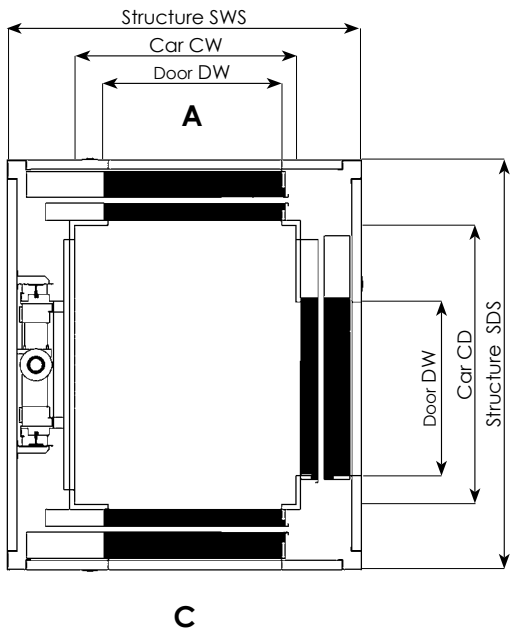
WALL MOUNTED



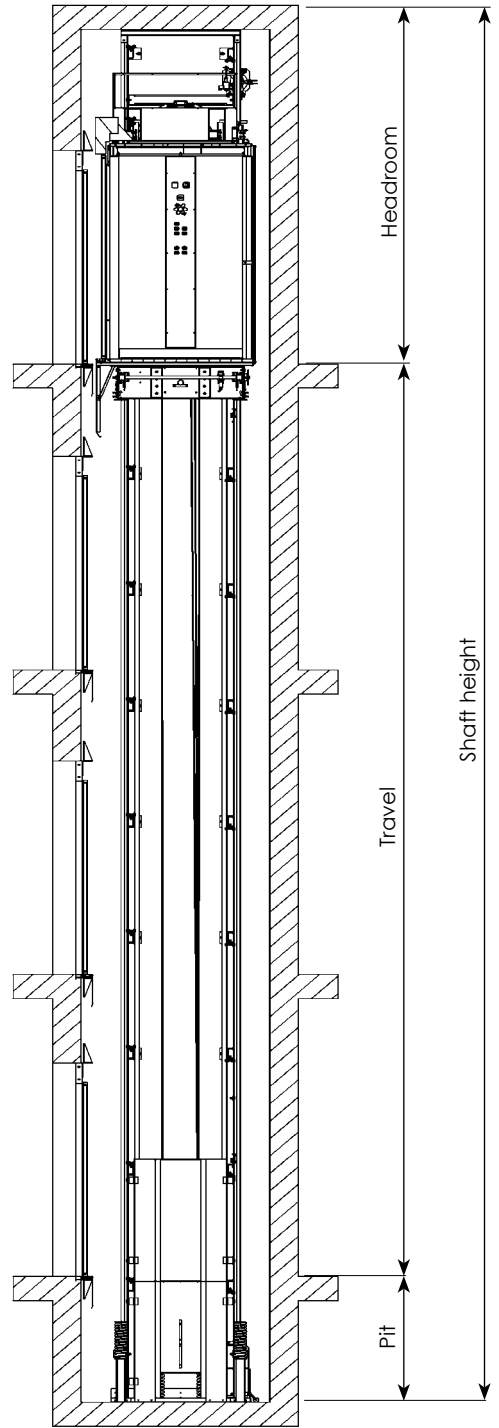
B



SUPPORTING STRUCTURE



B





Condominium, Italy



Hotel, Italy



Prestigious historical palace, Italy



installations



## Let us help you...

At Daldoss we simply try to make life easier for our customers and users of our lifts. Our experienced staff can assess your individual needs and advise on the ideal lift product - working with you through to installation of your lift.



Quality  
Management  
System ISO 9001



Structural Steel  
CE Marking EN 1090-1  
class EXC2

**daldoss**  
**design**

Daldoss Elevelectronica SpA



Do you want  
more  
information?



### Daldoss Eleveltronic Spa

Via al Dos de la Roda, 18  
38057 Pergine Valsugana (Tn) - Italy

T. (0039) 0461 51 86 11  
F. (0039) 0461 51 86 54  
sales@daldoss.com

[www.daldoss.com](http://www.daldoss.com)

