

DALDOSS

GOODS

ATTENDANT

PLATFORM LIFT

## **Level** *Goods*

ECONOMIC

STRONG

MODULAR

RELIABLE

### Level Goods introduction

Daldoss Level Goods offers the easy, modular and reliable solution, for the transport of goods, with or without attendants in the car. Particularly suitable to warehouses, industries, supermarkets, retail shops and any other environment where there is a need to move carts, trolleys, boxes and other material. It can be easily installed in small areas thanks to its pit and headroom reduced to the minimum, and it's available both as wall mounted and/or with supported structure, for indoor or outdoor installations.

a product certified by



daldoss level goods  
help your work moving  
medium size loads

***Level***<sup>®</sup>



## Technical features

Daldoss Level Goods is a platform lift to be used for transport of medium size cargo, accompanied by maximum two persons.

**Traction:** Hydraulic with control unit placed in proximity of the shaft

**Operation:** "Constant Pressure" (hold-to-run) in the car and automatic from the floor

**Rated Load:** Up to 500 kg (with max. 2 persons in the car)

**Stops:** Up to 8

**Travel:** Up to 17mt (it may vary depending on the model)

**Speed:** Max 0.15 m/s (it may vary depending on the model)

**Headroom:** Min. 2400 mm

**Pit:** Min. 150 mm (it may vary depending on the model)

**Power Supply:** 220V mono phase  
 $\Delta$ 230V-Y400V three phase 50/60Hz

**Motor Power:** 1.5 ÷ 2.2 kW (depending on the model)

**Car Entrances:** 1 or 2 opposite

**Car:** Closed with baked oven enamel walls RAL 7038 (pearl gray), bumper guards on the car walls, Car flooring in non-slip rubber color gravel DG75, LED bars illumination and safety light curtain in Category 2 on each car entrance.

**Floor Doors:** Manual with single or double 180° opening baked enamel RAL 7038 (pearl gray) panel and 70x900 mm transparent glass window. Internal closing handle, mechanical lock and electrical contact with removable bridge. Lower floor doors with manual resetting.

**Car operation panel:** AISI 304 Stainless Steel plaque and floor selection push buttons (constant pressure). Push button alarm, emergency stop, and optional key disabling car controls operations.

**Landing operation panel:** AISI 304 Stainless Steel plaque and floor selection push buttons with universal "call and send" operation; car presence green light and busy lift red light.

**Norms and Regulations:**

- Law Decree 27 January 2010 N.17
- Machine Directive 2006/42/EC
- Electromagnetic Compatibility Directive 2014/30/EU
- NTC 2018: MINISTERIAL DECREE 17 JANUARY 2018 "Technical Norms for Constructions"
- CR UNI 10011 – June 1988. "Steel Constructions, Instructions for the calculation, execution, testing and maintenance"
- EN 1090-1 "Execution of steel and aluminum structures - Part 1: Requisites for the conformity evaluation of structural components"
- EN 1090-2 "Execution of steel and aluminum structures - Part 2: Technical requisites for steel structures"

technical  
features

## Standard



Single hinged landing door  
baked enamel RAL 7038



Double hinged landing door  
baked enamel RAL 7038



Landing door internal  
closure handle



Bump rail



Landing  
operation panel

Car operation  
panel



Category 2 Safety light curtain



Non-slip rubber floor Pebble DG75  
Cabinet for pump unit  
and control panel



LED bars car illumination



Baked enamel pearl grey  
RAL 7038



Car flooring in non-slip rubber  
color gravel DG75

s t a n d a r d

## Optionals



Intercom system



Lock switch enabling buttons on the floor pushbutton plaque



Display car position

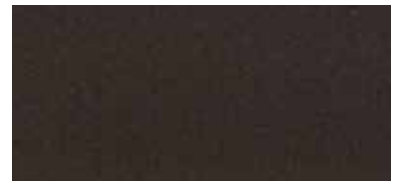
Lock switch IN – OUT to disable commands and light curtains (exclusive use for goods only transport)



Fire-resistant, single or double panel floor doors EI60-EI120 (opening at 90°)



Additional Bump Rails



Non-slip rubber floor Carbon DG71



Non-slip aluminum checkered car floor



Additional RAL colors available



Satin stainless steel AISI 304 or AISI 316



Stainless steel scratch-resistant

# optionals

## Shaft, car and landing doors sizes (mm)

Model	Entrances	Capacity (kg)	Pit (mm)	Car STD Height= 2000 (mm)		Doors STD Height= 2000 (mm) 1B=1panel 2B=2panels	Wall mounted Shaft sizes (mm)		Supporting structure Structure sizes (mm)	
				CW*	CD**		DW	SWM	SDM	SWS
S	A or C	350-500	150	800	1200	750 - 1B	1210	1290	1310	1390
S	AC	350-500	150	800	1200	750 - 1B	1210	1240	1310	1340
W	A or C	350-500	150	900	1200	850 - 1B	1310	1290	1410	1390
W	AC	350-500	150	900	1200	850 - 1B	1310	1240	1410	1340
Z	A or C	350-500	150	1000	1200	950 - 1B or 2B	1410	1290	1510	1390
Z	AC	350-500	150	1000	1200	950 - 1B or 2B	1410	1240	1510	1340
ZL	A or C	350-500	150	1000	1400	950 - 1B or 2B	1410	1490	1510	1590
ZL	AC	350-500	150	1000	1400	950 - 1B or 2B	1410	1440	1510	1540
EU	A or C	385	150	1100	1400	1050 - 2B	1510	1490	1610	1590
EU	AC	385	150	1100	1400	1050 - 2B	1510	1440	1610	1540
XL	A or C	350	170	1000	1860	950 - 1B or 2B	1410	1950	1510	2050
XL	AC	350	170	1000	1860	950 - 1B or 2B	1410	1900	1510	2000

Note:

\* net car span = CW-50mm

\*\* net car span 1 entrance (A or C) = CD-40mm; 2 entrances (AC) = CD-30mm

Custom sizes [available upon customer request](#)

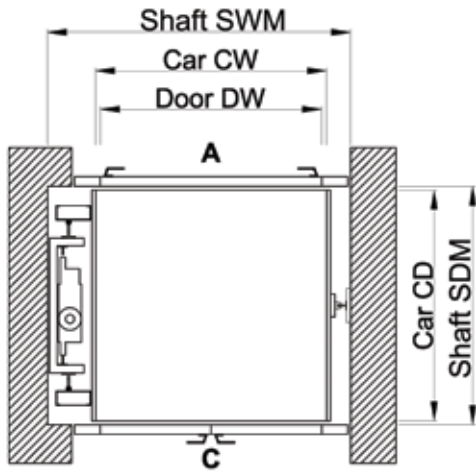
Daldoss Elevetronic SpA reserves the right to make changes to the characteristics and dimensions of the models in the catalogue, in compliance with statutory legislation, without any prior notice to the customer.

# standard models

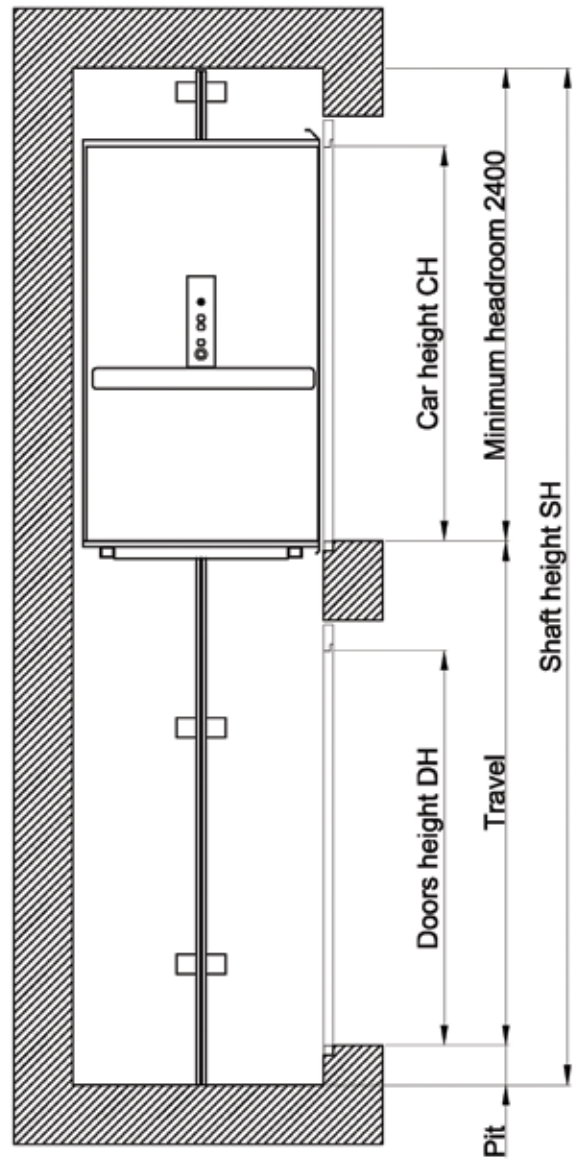
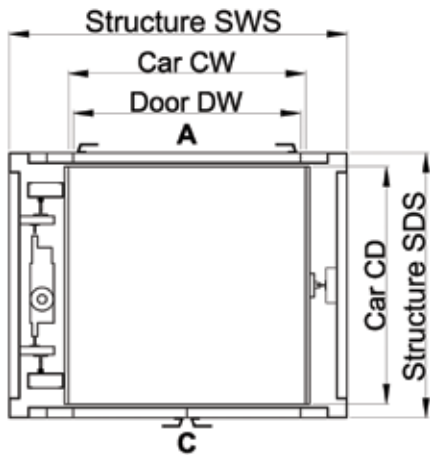


## Drawings

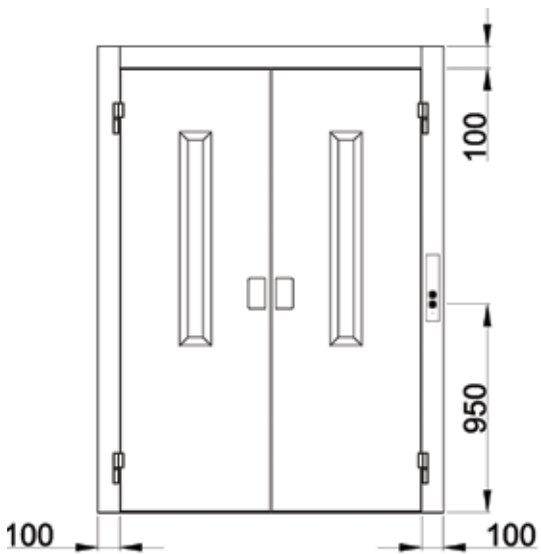
WALL MOUNTED



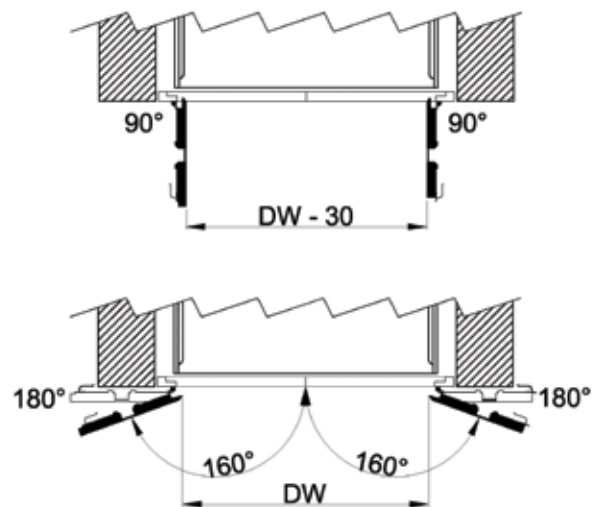
SUPPORTING STRUCTURE



## Doors Detail



## NET SPAN DOORS OPENING





installations

## Let us help you...

At Daldoss we simply try to make life easier for our customers and users of our lifts. Our experienced staff can assess your individual needs and advise on the ideal lift product - working with you through to installation of your lift.



Quality  
Management  
System ISO 9001



Structural Steel  
CE Marking EN 1090-1  
class EXC2

**daldoss**  
**design**

Daldoss Elevelectronica Spa



Do you  
want more  
information?





### Daldoss Eleveltronic Spa

Via al Dos de la Roda, 18  
38057 Pergine Valsugana (Tn) - Italy

T. (0039) 0461 51 86 11  
F. (0039) 0461 51 86 54  
sales@daldoss.com

[www.daldoss.com](http://www.daldoss.com)

